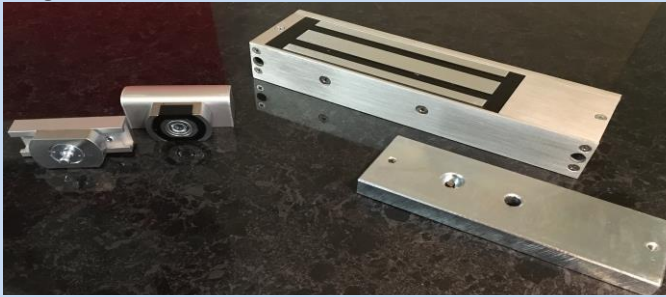




SDGi MICRO POWER LOCK

The **SDGi** Micro Power Lock is ideal for automatic doors, especially for a pair where space between the operators is too narrow for conventional mag locks or where the armature intrudes on the safety sensor position.

Micro Power Lock compared to standard 1200lb maglock



The **SDGi** Micro Power Lock can also be used on manual doors where a very small and unobtrusive, yet high quality, lock is required. The magnet is a unique electromagnetic door magnet with patented inbuilt technology ensuring improved performance and reliability; a genuine alternative to square face applied magnets. There is a conical aperture in the lock which receives a strong alloy pin, in lieu of a large armature plate, creating both magnetic and mechanical holding force.

Fitting locks is never simple but the Micro Power uses the SDGi infinitely adjustable bracket allowing the installer to position the lock exactly where he wants it. The armature with the locating pin has the ability to be adjusted too, ensuring that a 100% no fuss alignment is always possible even AFTER commissioning.

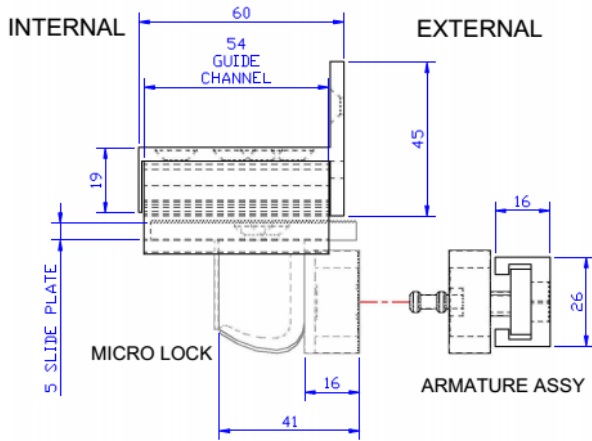
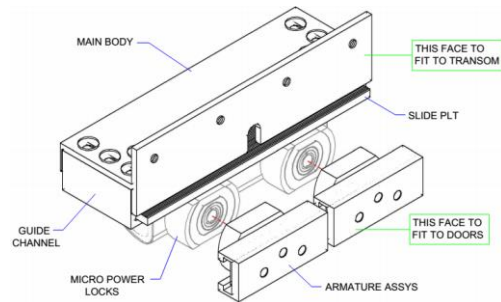
Technical Specification:

- 680 kg (1500 lb) holding force per lock
- Multiple voltage input - any voltage from 12 vDC to 24 vDC
- Very low current consumption 12 v = 0.28 A and 24 v = 0.14 A
- Early warning alarm EW technology - magnets are fitted with EW pressure sensors able to send an alarm before access forced open with 0-30 second timer delay
- Alarm relay input
- PCB is to be located inside the transom, operator or PSU
- Note that the lock body is rounded and has no sharp edges which gives it a different look and is also 'safer/less hazardous' on low height frames
- For open-out doors the lock is fixed to the SDGi bracket allowing infinite adjustment backwards forwards and sideways
- Armature is on a sliding plate allowing 5 mm travel left and right and 1 mm up and down travel to ensure 100% alignment
- Standard finishes are Black and Silver - a PPC option is also available
- Extremely high quality patented lock and bracket system
- Variants for open out, open in and timber doors
- Comes completely assembled so all you have to do is install it

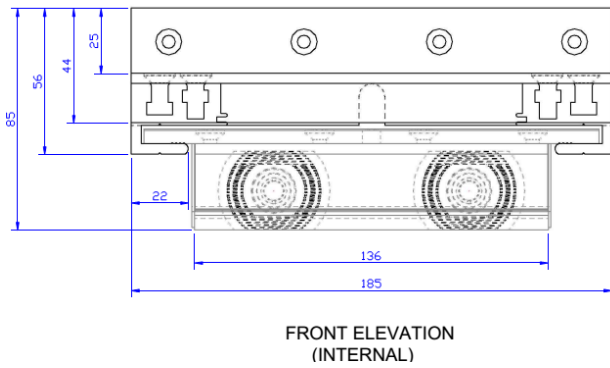
For Aluminium Open Out Doors

Code: GS 103/104 **Double Lock** Dimensions:

- 185 mm wide on the transom
- 140 mm wide below
- Lock suspends 40 mm below the transom
- Armature is 70 mm W x 26 mm H 2 No required – 1 per leaf



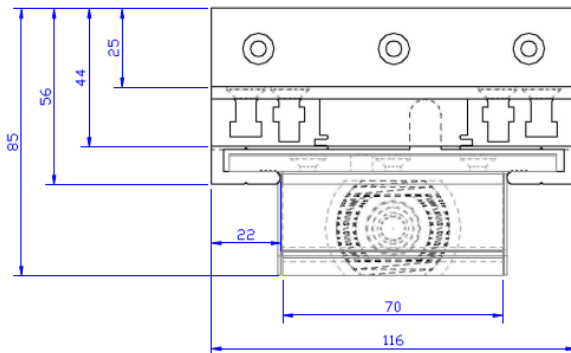
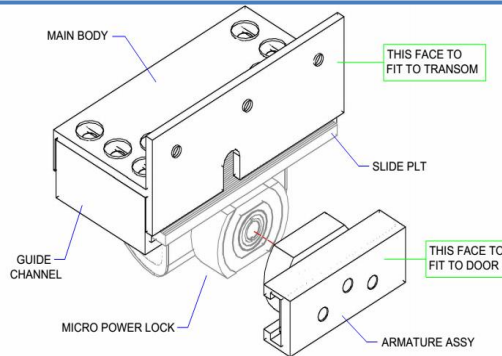
SIDE ELEVATION



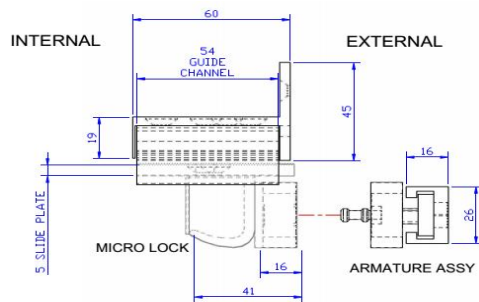
FRONT ELEVATION (INTERNAL)

Code: GS 101/102 **Single Lock** Dimensions:

- 116 mm wide on the transom
- 70 mm wide below
- Lock suspends 40 mm below the transom
- Armature is 70 mm W x 26 mm



FRONT ELEVATION (INTERNAL)



SIDE ELEVATION

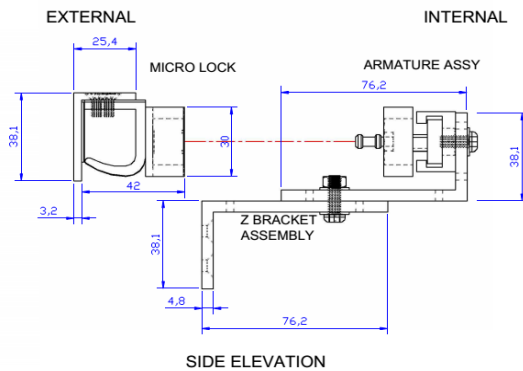
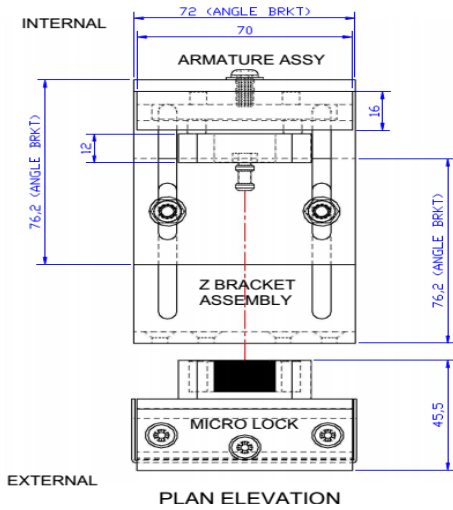
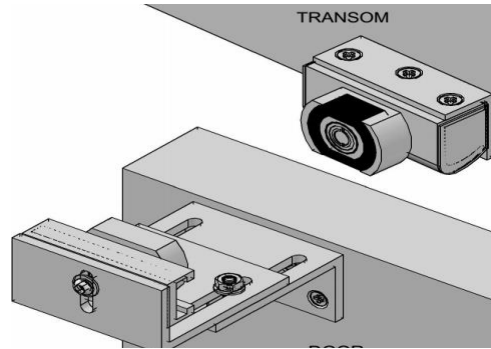


SDGi MICRO POWER LOCK

For Open In Doors

Code GS 107 - Single Lock Dimensions:

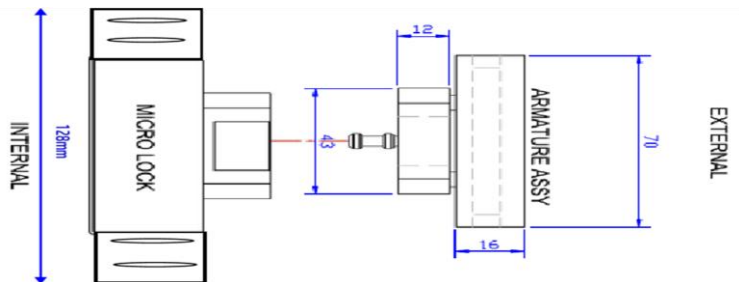
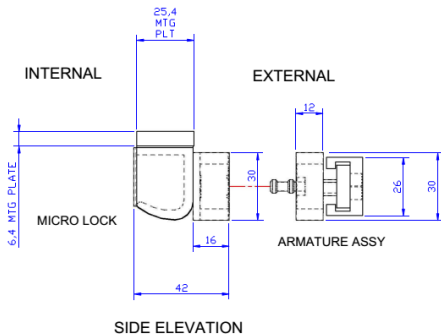
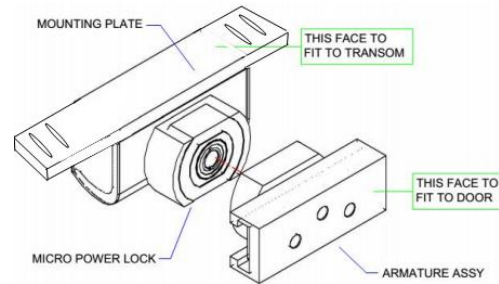
- 70 mm wide across the transom
- Lock requires 40 mm H on the transom
- Armature is 70 mm W x 26 mm
- Z bracket dimensions as per diagram below
- 2 are required for a double door



NB: Armature plate on Z bracket is adjustable up and down and sideways

Code GS 105 Single Lock Dimensions:

- 128 mm wide under the transom/reveal
- Lock suspends 40 mm below the transom/reveal
- Armature is 70 mm W x 26 mm
- 2 No required for a double door





SDGi MICRO POWER LOCK

Description	Finish	Code
Double lock with SDGi bracket for Aluminium centre pivot & Flush thermally broken open out doors	All either Satin Anodised or Black	GS103/104
Single lock with SDGi bracket for Aluminium centre pivot & Flush thermally broken open out doors	All either Satin Anodised or Black	GS101/102
Single Open IN Door with Z bracket 2 needed for a double door	All either Satin Anodised or Black	GS 107
Single lock direct fix with standard fixing plate 2 needed for a double door	All either Satin Anodised or Black	GS 105
PPC finish, any standard colour	Please advise RAL and we can quote	PPC REF



For more information:

Website: www.gingersspark.co.uk
Email: mike@ingersspark.co.uk
Telephone: 0161 483 4747

DOUBLE MICRO POWER LOCK SHOWN WITH SDGI
ADJUSTABLE BRACKET