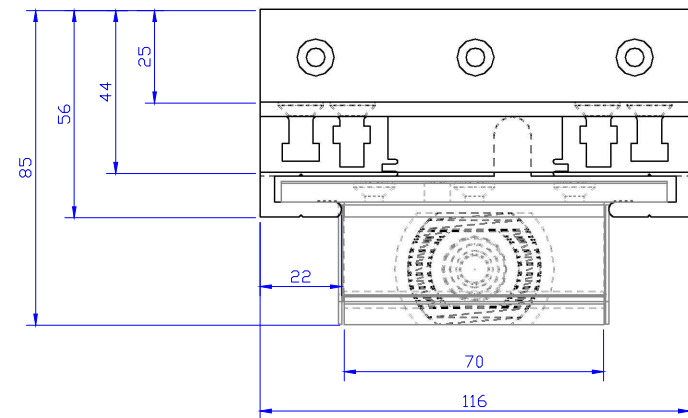
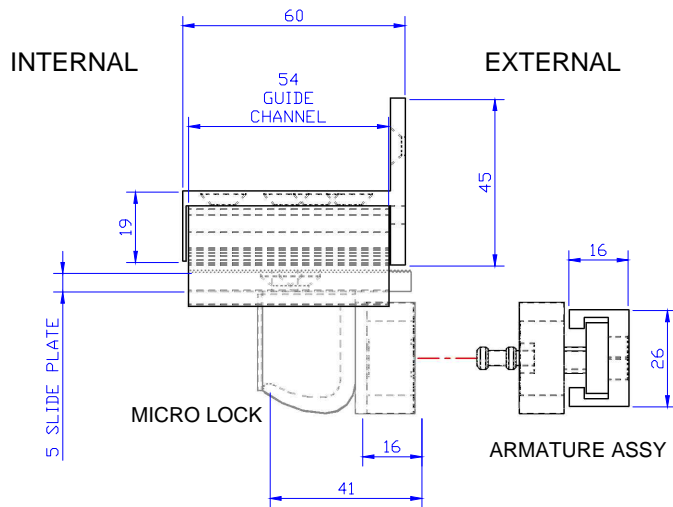


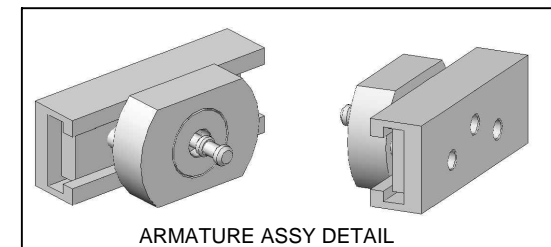
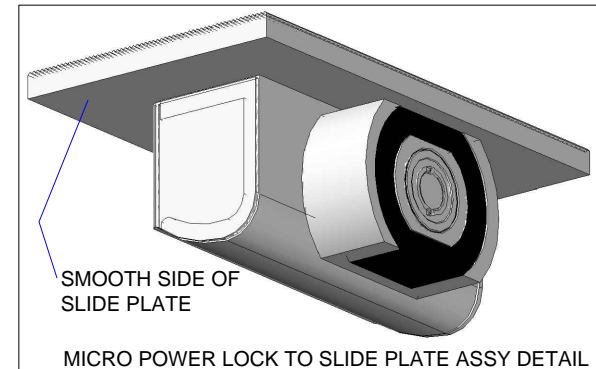
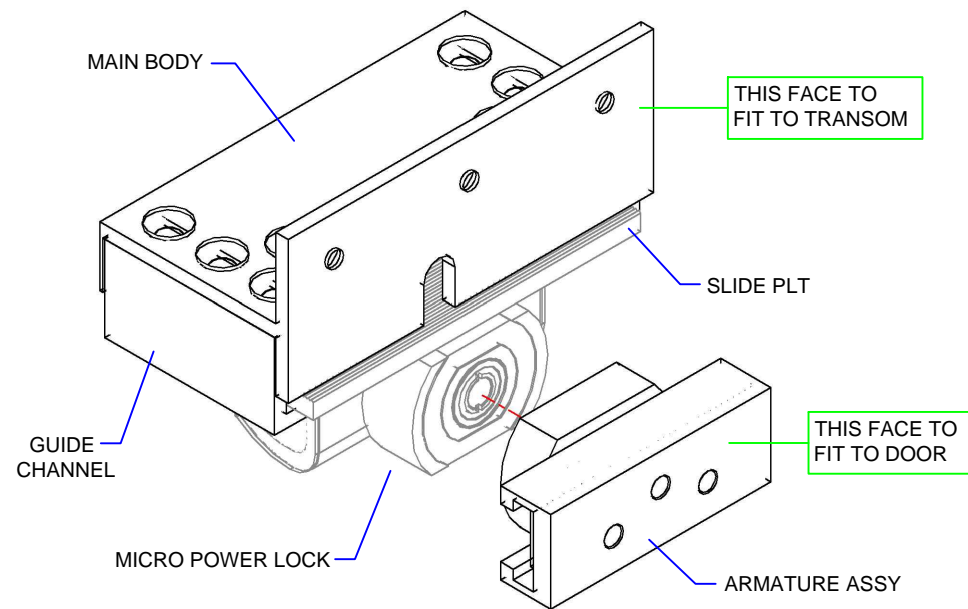
PLAN ELEVATION



FRONT ELEVATION (INTERNAL)



SIDE ELEVATION



3D CAD DETAIL FOR IMPORT(SEE MODEL SPACE)
REF : SDGi **SINGLE** MICRO POWER LOCK

EL	A	25/01/16		
Drawn	Rev	Date	Reason for change	
Project	SDGI		Sheet	1 of 1
Drawing No.	App'd	Scale	Date	
GS-101		N.T.S.		
Title	SDGI Infinite Adjustment		Drawn	EL
Micro Power Lock Bracket			A3	

