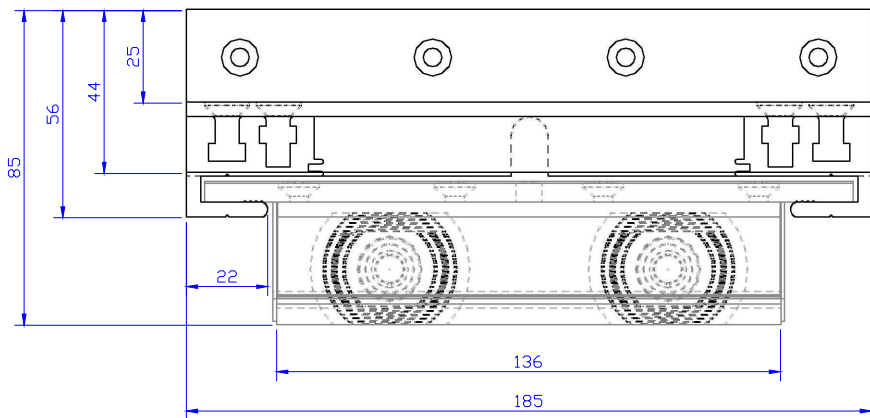
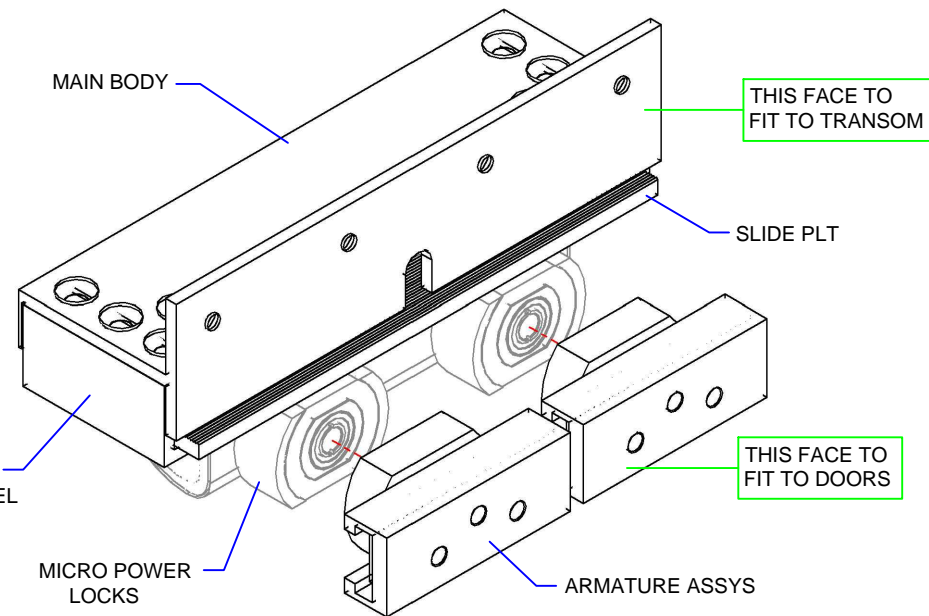
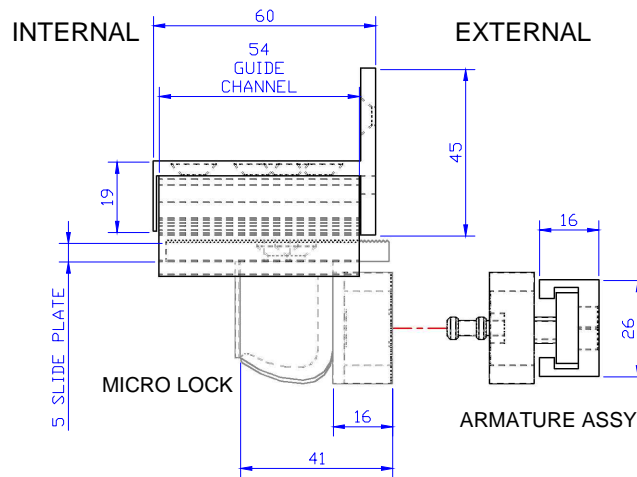


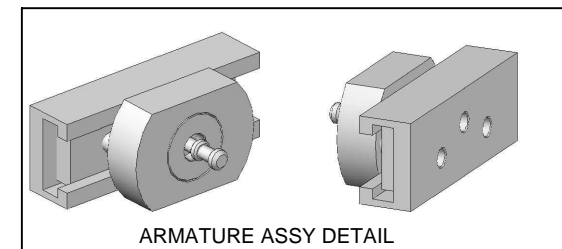
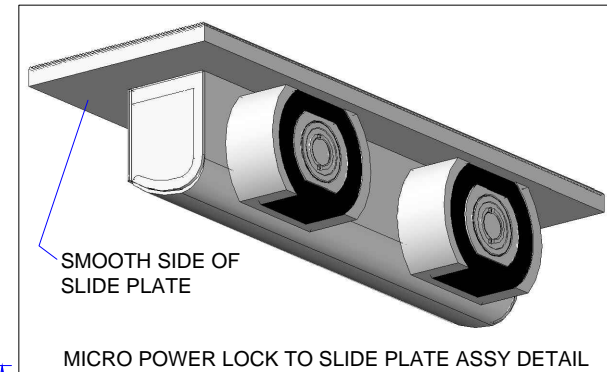
PLAN ELEVATION



FRONT ELEVATION (INTERNAL)



SIDE ELEVATION



3D CAD DETAIL FOR IMPORT(SEE MODEL SPACE)  
REF : SDGi **DOUBLE** MICRO POWER LOCK

EL	A	25/01/16		
Drawn	Rev	Date	Reason for change	
Project	SDGI		Sheet	1 of 1
Drawing No.	App'd	Scale	Date	
GS-103		N.T.S.		
Title	SDGI Infinite Adjustment		Drawn	
Micro Power Lock Bracket		A3	EL	

