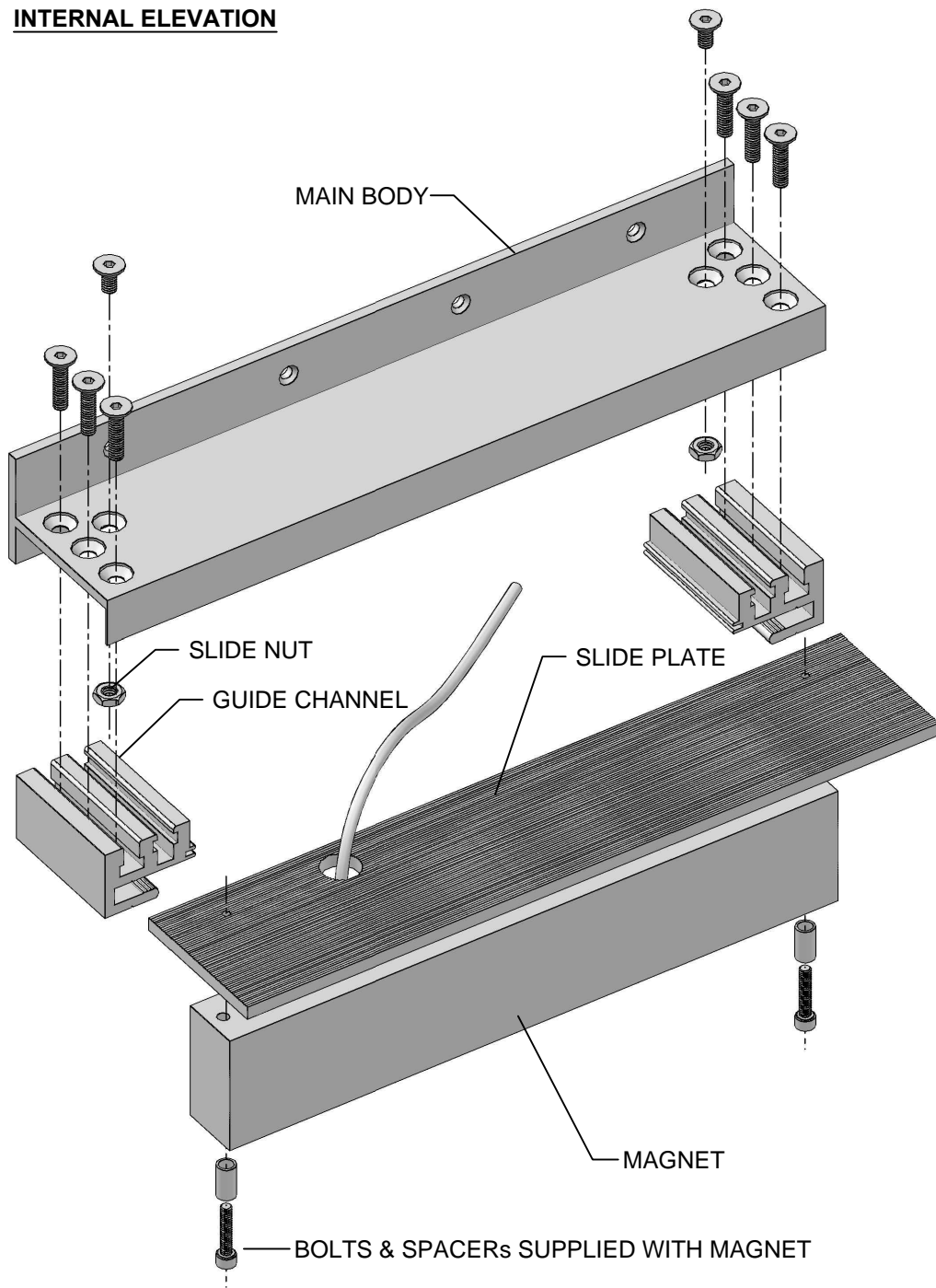
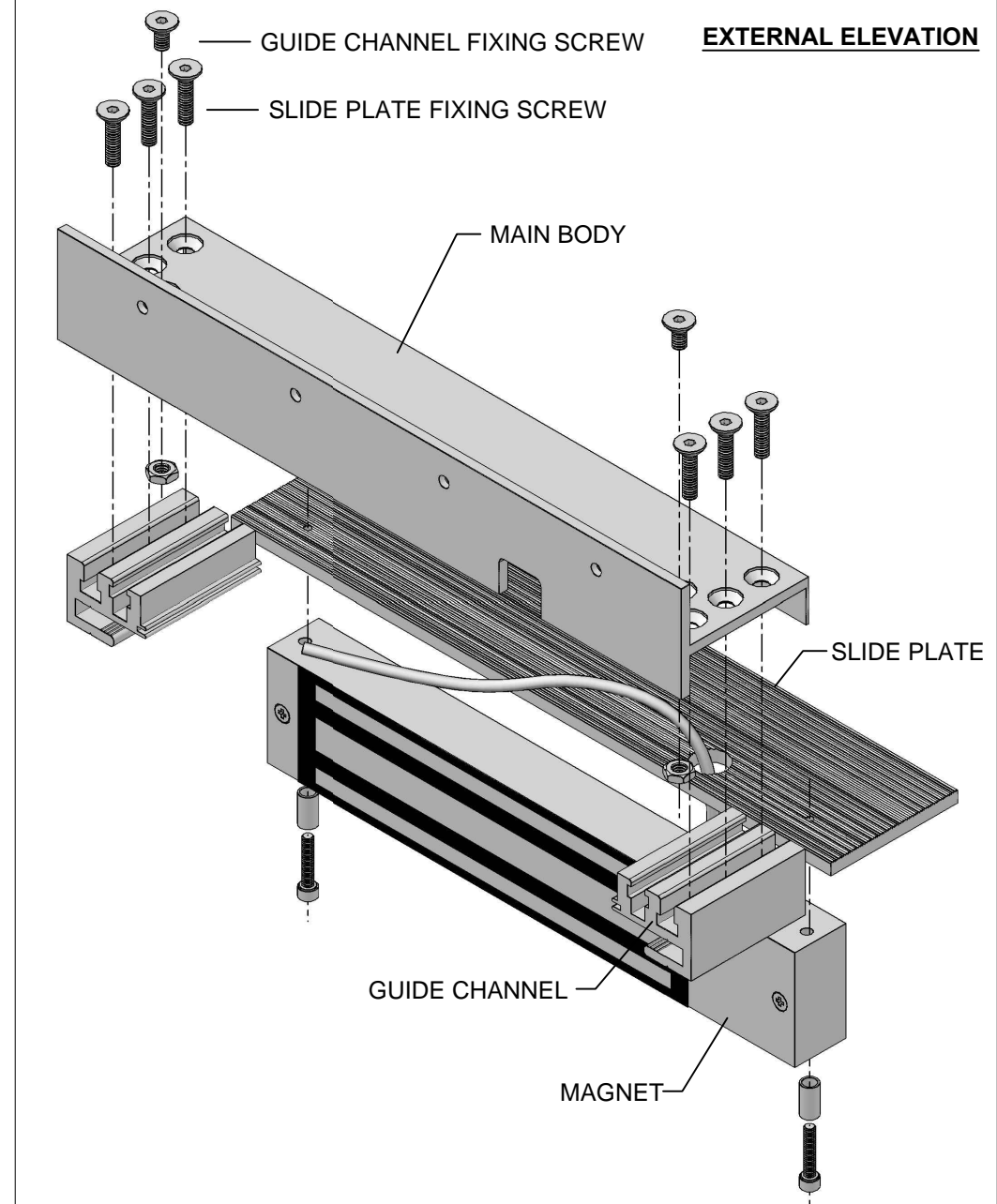


**INTERNAL ELEVATION**



**SDGI BRACKET EXPLODED DETAIL**

**EXTERNAL ELEVATION**



EL	A	05/01/16			
Drawn	Rev	Date	Reason for change		
Project :	SDGI		Sheet	1 of 1	
Drawing No.	App'd	Scale	Date		
GS-003		N.T.S.			
Title	SDGI Infinite Adjustment Mag Lock Bracket		A3	Drawn	EL

