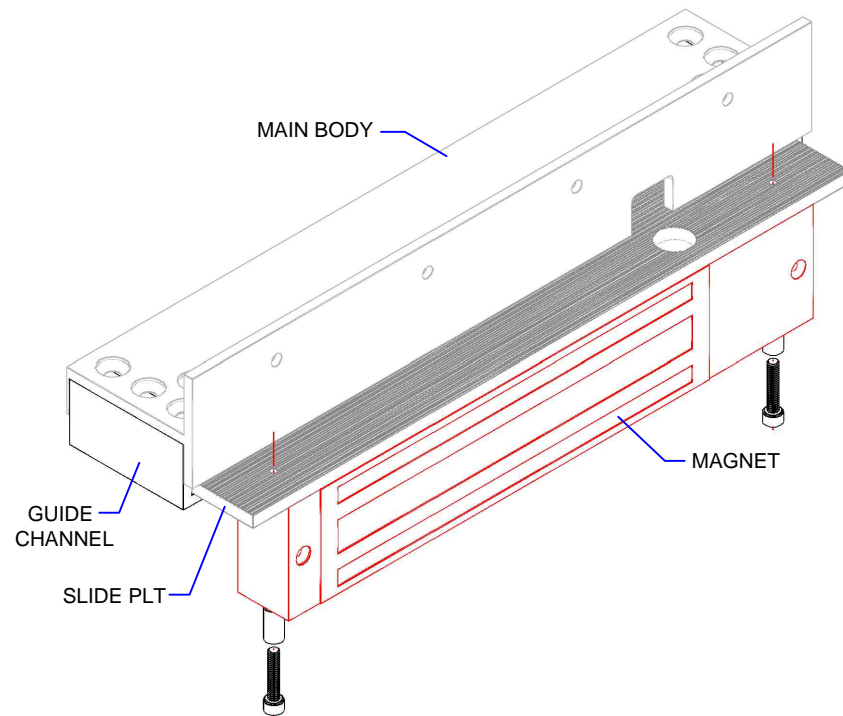
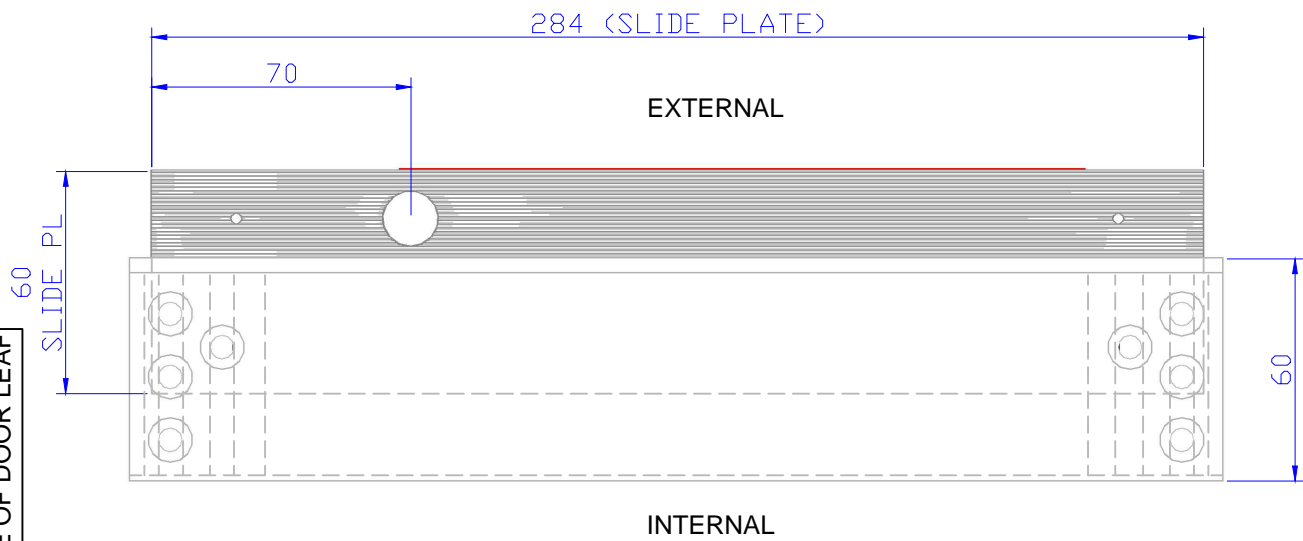
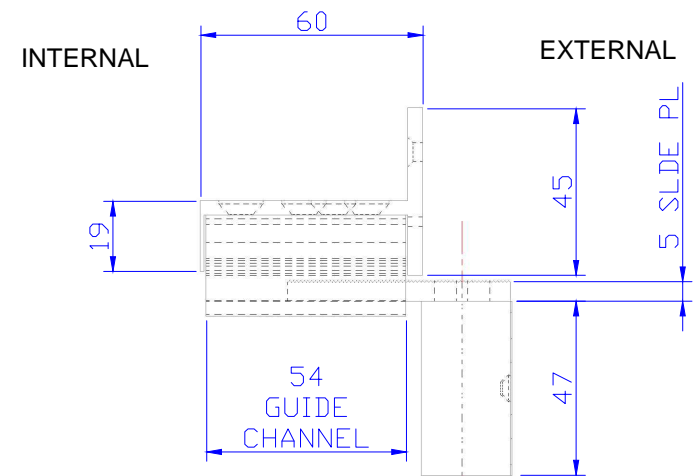
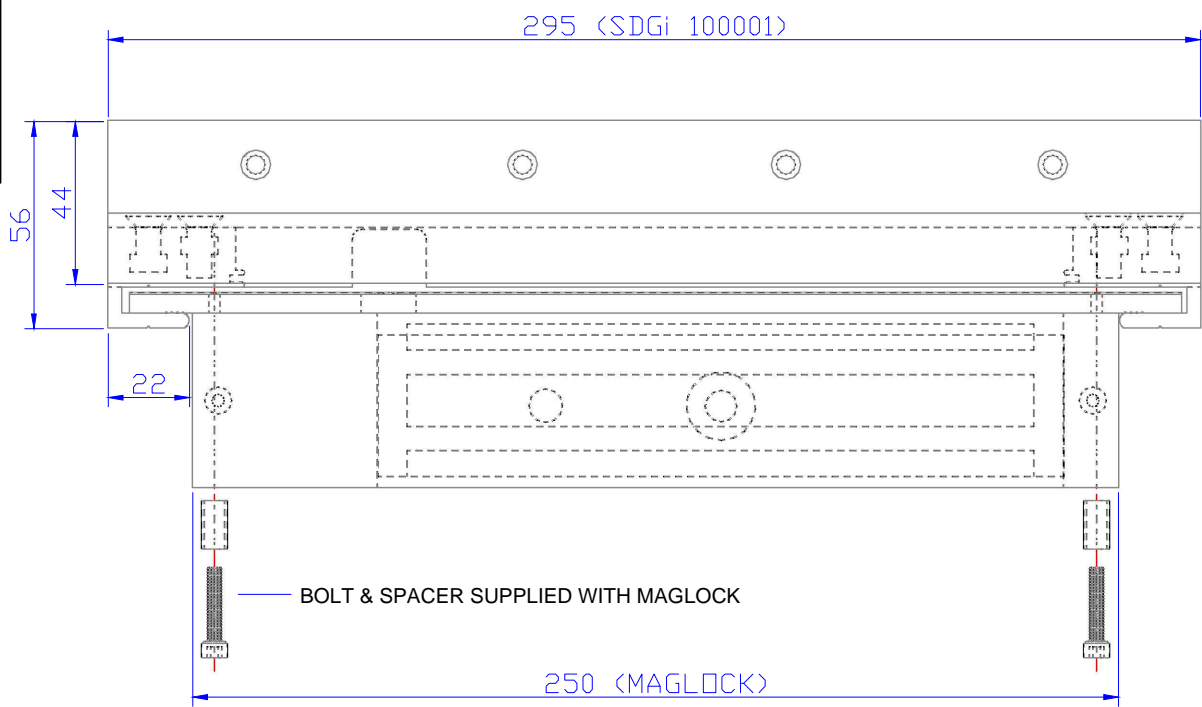


PLAN ELEVATION



LEADING EDGE SIDE OF DOOR LEAF



SIDE ELEVATION

FRONT ELEVATION

3D CAD DETAIL FOR IMPORT(SEE MODEL SPACE)

EL	A	05/01/16		
Drawn	Rev	Date	Reason for change	
Project : SDGI			Sheet 1 of 1	
Drawing No.	App'd	Scale	Date	
GS-001		N.T.S.		
Title			A3	Drawn
SDGI Infinite Adjustment Mag Lock Bracket			EL	



T : 0161 483 4747