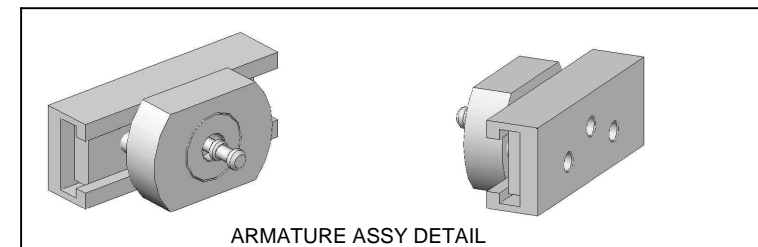
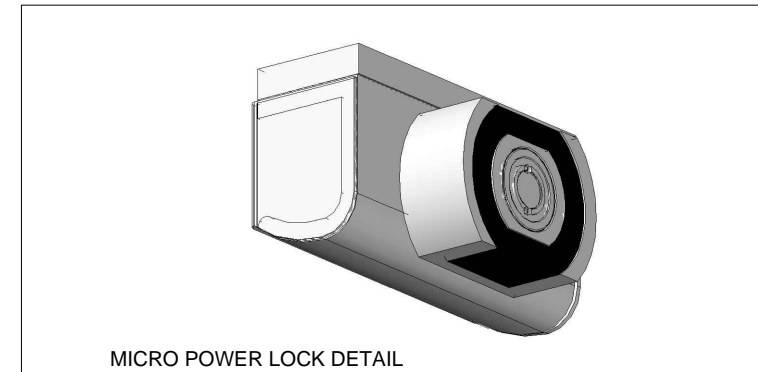
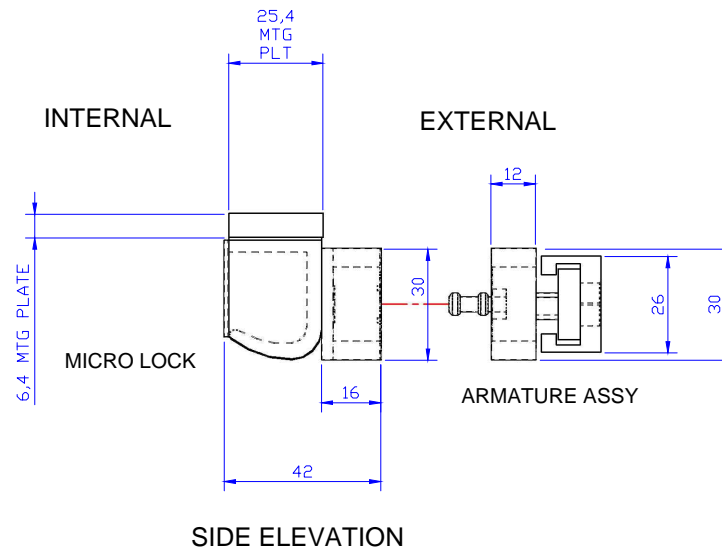
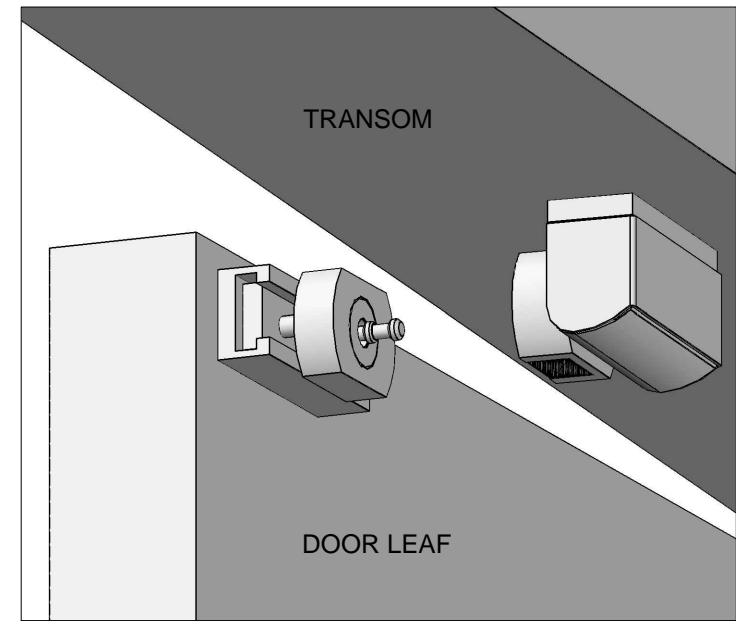
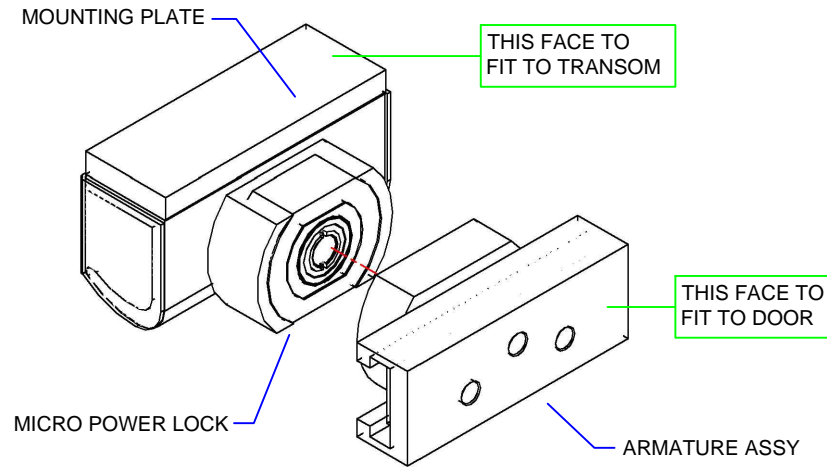
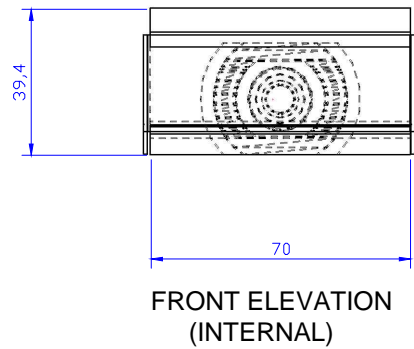


INTERNAL
PLAN ELEVATION



3D CAD DETAIL FOR IMPORT (SEE MODEL SPACE)
REF SDGI SINGLE MICRO POWER LOCK
DIRECT FIX UNDER TRANSOM / REVEAL

EL	A	27/02/16	
Drawn	Rev	Date	Reason for change
Project	SDGI		Sheet 1 of 1
Drawing No.	App'd	Scale	Date
GS-105		N.T.S.	
Title	SDGI :Micro Power Lock		Drawn
Direct fix under transom		A3	EL

