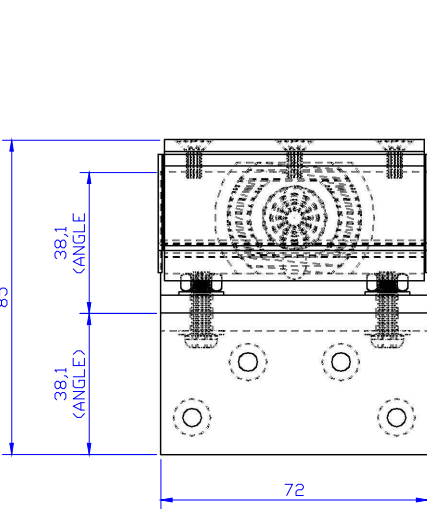
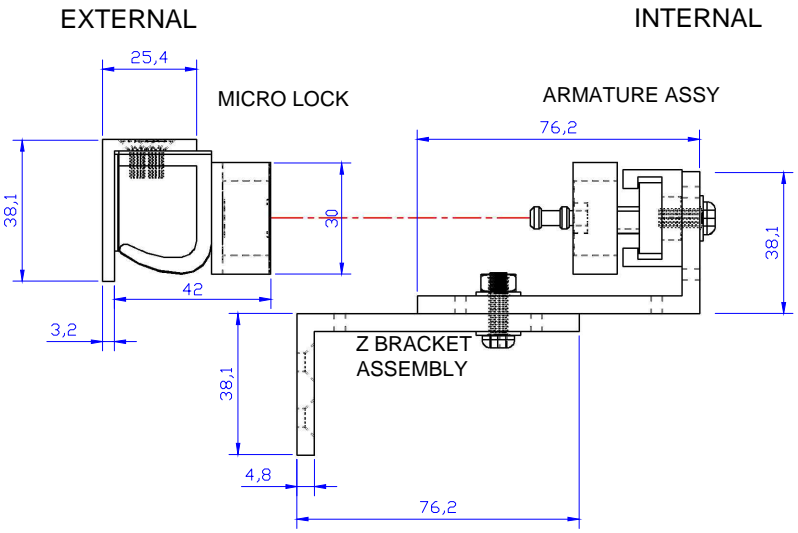


EXTERNAL PLAN ELEVATION

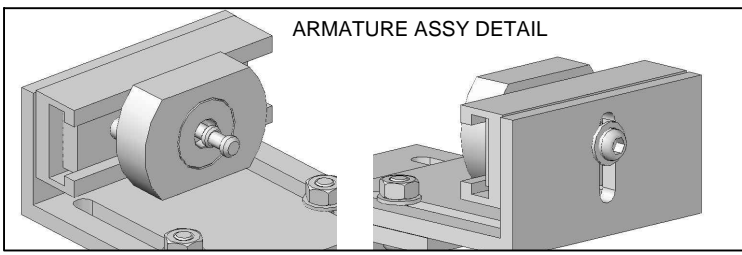
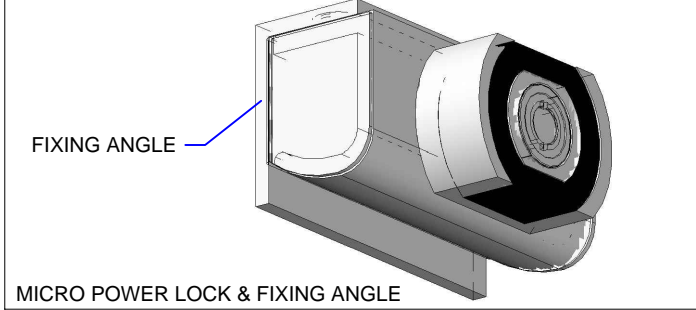
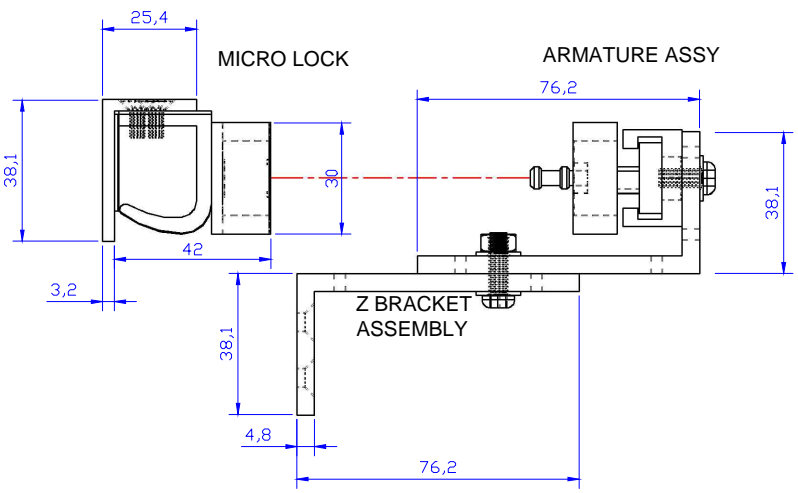


FRONT ELEVATION (EXTERNAL)



SIDE ELEVATION

INTERNAL SIDE ELEVATION



3D CAD DETAIL FOR IMPORT(SEE MODEL SPACE)
REF : SDGi **SINGLE** MICRO POWER LOCK : OPEN IN DOORS

EL	A	27/02/16		
Drawn	Rev	Date	Reason for change	Sheet
Project	SDGI			1 of 1
Drawing No.	App'd	Scale	Date	
GS-107		N.T.S.		
Title	SDGI :Micro Power Lock Open in Doors		Drawn	EL
	A3			

